

# EPAL CP2 PALLET

800 x 1,200 mm



Safety and quality are of particular importance in the chemicals industry. Protecting employees, the environment and the load itself take priority. With the new quality-assured EPAL CP pallets, EPAL is closing a major gap in the chemicals industry's logistics chain. You can obtain EPAL CP pallets 1 - 9 from any one of the more than 1,600 licensed manufacturers and repairers. Supplier search under [www.epal.eu](http://www.epal.eu).

## FACTS & FIGURES

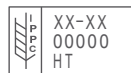
Materials: 13 boards of quality timber, 9 wood-chip or solid wood blocks, 60 nails. Produced according to the EPAL Technical Regulations.

<b>Length</b>	800 mm
<b>Width</b>	1,200 mm
<b>Height</b>	138 mm

## MARKINGS



"EPAL in oval" on the right-hand corner block.



IPPC symbol, country code, registration number of the national plant protection authority, heat treatment on the left-hand corner block.

**CP2**  
095-8-01

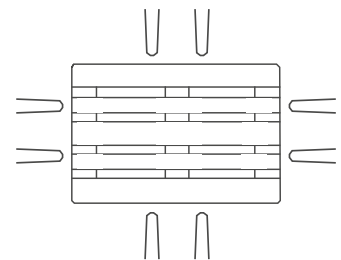
CP type marking and EPAL ID number (licence number-year-month) on the central block.



EPAL control staples

## HANDLING

4-sided accessibility and high quality enable efficient handling during production, storage and transportation all the way along the supply chain. Compatible with all (conventional) standard load carriers, industrial trucks and warehouse systems. Use: In retail-type sectors, alternative to EPAL Euro pallets.



## QUALITY CONTROL



EPAL's quality assurance ensures EPAL Euro pallets are of an internationally uniform and high quality. The inspection companies Bureau Veritas and CCIC complete more than 25,000 independent inspections every year on behalf of EPAL at the EPAL licensees' premises. This quality control of EPAL Euro pallets is the fundamental basis of reuse and exchange and therefore of the sustainability of EPAL Euro pallets.

## ISPM 15



During production, EPAL Euro pallets are heat treated (HT) in accordance with the IPPC ISPM 15 standard. This kills off any pests and protects trees, plants and other ecosystems from infestation. The ISPM 15 treatment ensures EPAL Euro pallets can be used to transport goods without limitation, internationally and across continents.

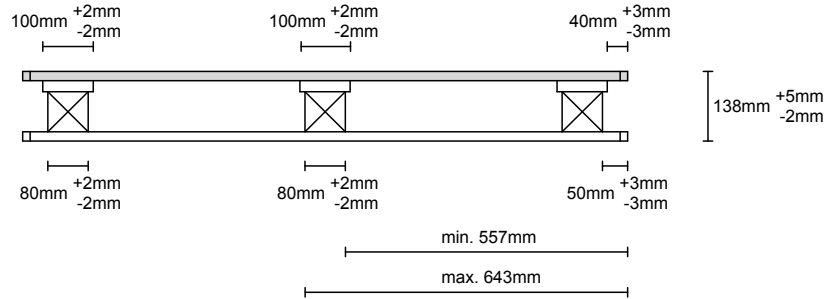


# EPAL CP2 PALLET

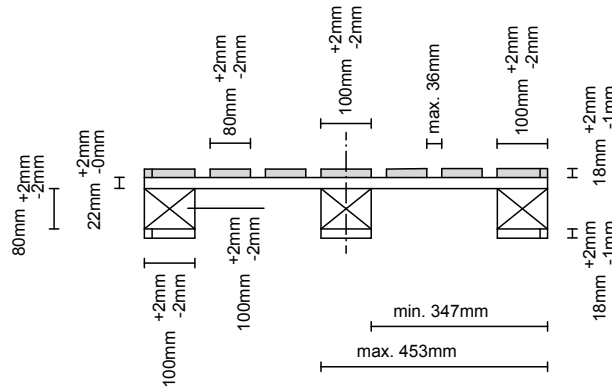
800 x 1,200 mm



1,200 mm side



800 mm side



Top view

